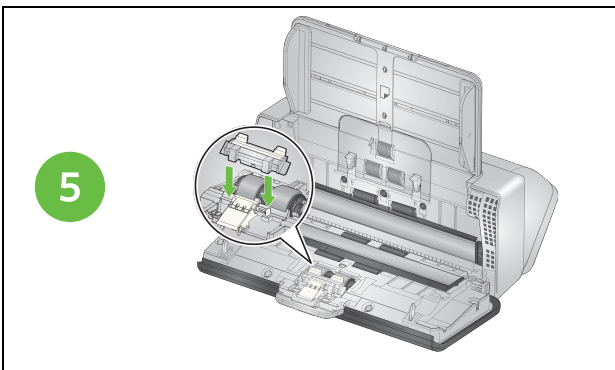
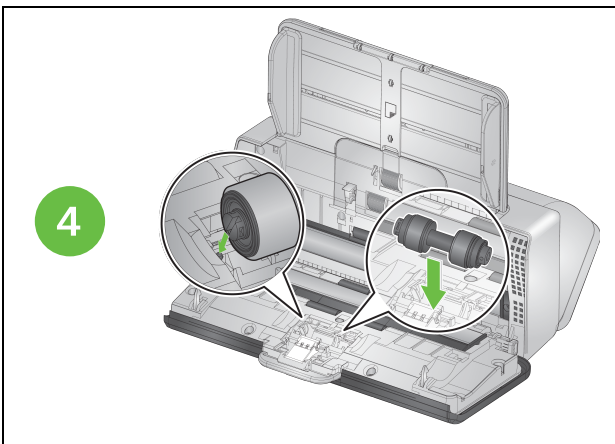


Cleaning and replacing the separation roller



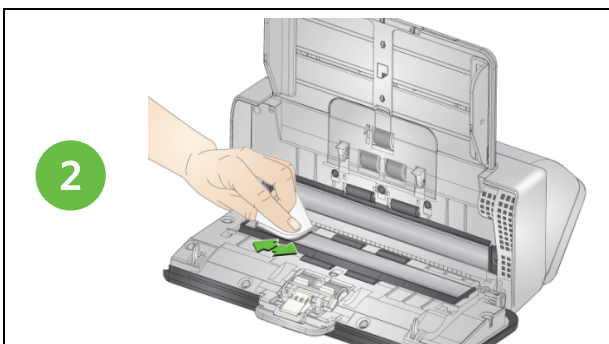
Support Information

www.alarisworld.com/go/S2000support
www.alarisworld.com/go/S2000wsupport

When contacting support, have the following available:

- A description of your problem
- Scanner model and serial number
- Computer configuration
- Software application you are using

Cleaning the imaging area



Supplies and Consumables

www.alarisworld.com/go/S2000support
www.alarisworld.com/go/S2000wsupport

A-61934 / Part #5K9213 March 2020

All trademarks and trade names used are the property of their respective holders.

The Kodak trademark and trade dress are used under license from Eastman Kodak Company.

© 2020 Kodak Alaris Inc.



5K9213

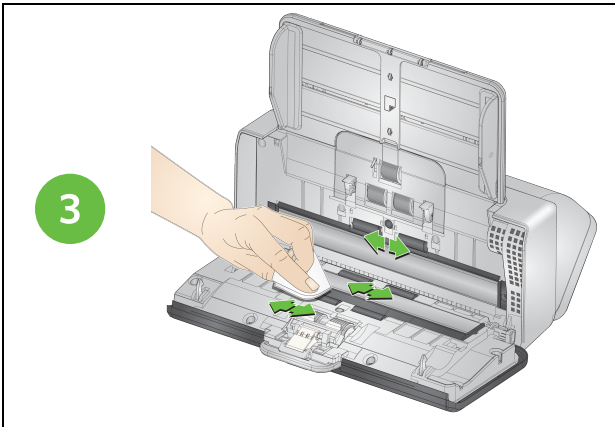
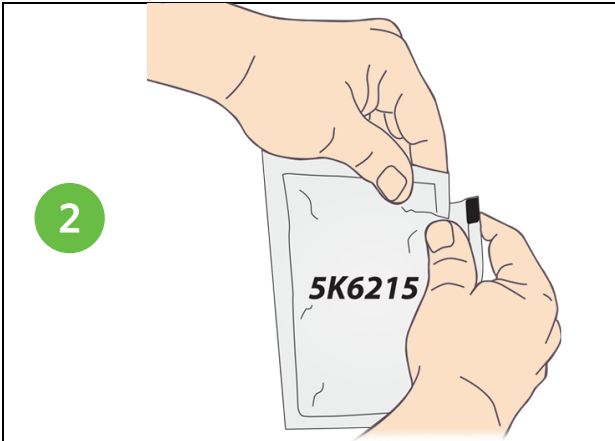
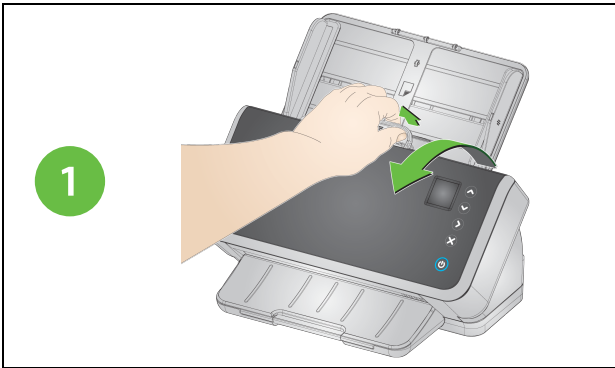
Kodak

S2000 Series Scanners
S2000w Series Scanners

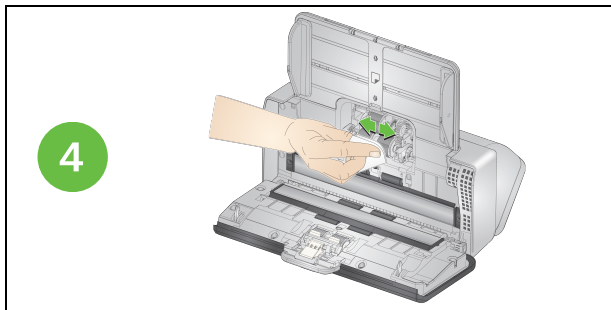
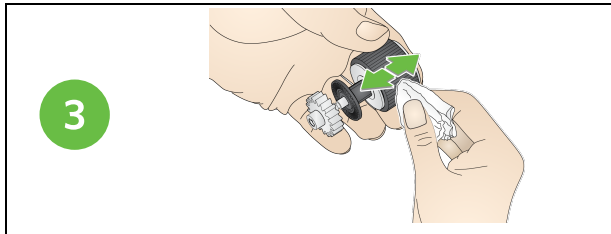
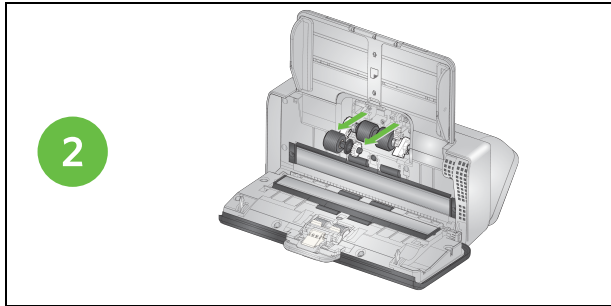
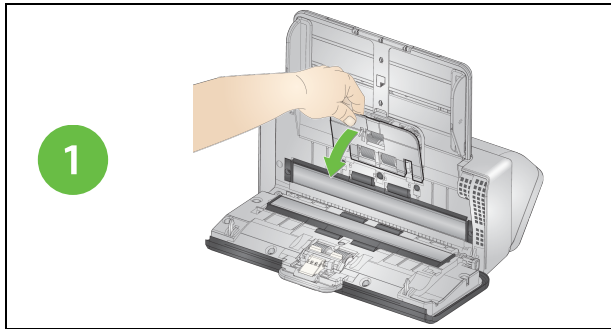
Reference Guide



Cleaning the rollers



Cleaning the feed rollers



Cleaning and replacing the separation roller

