



Kodak

Legal Size Flatbed Accessory
for **Kodak** Scanners

User's Guide

Safety

User precautions

- Only use the scanner and power supply indoors in a dry location.
- Make sure the electrical power outlet is located within 1.52 meters (5 feet) of the scanner and is easily accessible.
- Be sure the power cord is securely plugged into the wall outlet.
- Do not damage, knot, cut or modify the power cord.
- Use only the AC adapter that is supplied with the scanner. Do not use the scanner's AC adapter with any other product.
- Leave sufficient space around the power outlet so it can be easily unplugged in case of an emergency.
- Do not use the scanner if it becomes inordinately hot, has a strange odor, emits smoke, or makes unfamiliar noises. Immediately stop the scanner and disconnect the power cord from the power outlet. Contact Kodak Service.
- Do not disassemble or modify the scanner or the AC power adapter.
- Follow the Kodak recommended cleaning procedures. Do not use air, liquid or gas spray cleaners. These cleaners displace dust, dirt and debris to another location within the scanner, which may cause the scanner to malfunction.

Environmental information

- The *Kodak* Legal Size Flatbed Accessory is designed to meet worldwide environmental requirements.
- Guidelines are available for the disposal of consumable items that are replaced during maintenance or service; follow local regulations or contact Kodak locally for more information.
- Disposal of this material may be regulated due to environmental considerations. For recycling or reuse information, contact your local authorities, or in the USA, go to: www.kodakalaris.com/go/scannerrecycling.
- The product packaging is recyclable.
- Parts are designed for reuse or recycling.
- Material Safety Data Sheets (MSDS) for chemical products are available on the Kodak website at: www.kodakalaris.com/go/msds. When accessing the MSDSs from the website, you will be required to provide the catalog number of the consumable you want the Material Safety Data Sheet for. See the section entitled, "Supplies and consumables" later in this guide for supplies and catalog numbers.

European Union



This symbol indicates that when the last user wishes to discard this product, it must be sent to appropriate facilities for recovery and recycling. Please contact your local Kodak representative or refer to www.kodakalaris.com/go/recycle for additional information on the collection and recovery programs available for this product.

Please consult www.kodakalaris.com/go/REACH for information about the presence of substances included on the candidate list according to article 59(1) of Regulation (EC) No. 1907/2006 (REACH).

Acoustic emission

Maschinenlärminformationsverordnung – 3, GSGV
Der arbeitsplatzbezogene Emissionswert beträgt <70 db(A).

[Machine Noise Information Ordinance — 3, GSGV
The operator-position noise emission value is <70 dB(A).]

EMC statements

United States: This equipment has been tested and found to comply with the limits for a Class B digital device pursuant to Part 15 of the FCC rules. These limits are designed to provide reasonable protection against harmful interference in a residential installation. This equipment generates, uses, and can radiate radio frequency energy and, if not installed and used in accordance with the instruction manual, may cause harmful interference to radio communications. However, there is no guarantee that interference will not occur in a particular installation. If this equipment does cause harmful interference to radio or television reception, which can be determined by turning the equipment off and on, the user is encouraged to try to correct the interference by one or more of the following measures:

- Reorient or relocate the receiving antenna.
- Increase the separation between the equipment and receiver.
- Connect the equipment into an outlet on a circuit different from that to which the receiver is connected.
- Consult the dealer or an experienced radio/TV technician for additional suggestions.

Any changes or modifications not expressly approved by the party responsible for compliance could void the user's authority to operate the equipment. Where shielded interface cables have been provided with the product or specified additional components or accessories elsewhere defined to be used with the installation of the product, they must be used in order to ensure compliance with FCC regulation.

Korea: As this equipment has obtained EMC registration for household use, it can be used in an area including residential areas.

이 기기는 가정용으로 전자파적합등록을 한 기기로서 주거지역에서는 물론 모든 지역에서 사용할 수 있습니다.

Japan: This is a Class B product based on the standard of the Voluntary Control Council for interference by information Technology Equipment (VCCI). If this is used near a radio or television receiver in a domestic environment, it may cause radio interference. Install and use the equipment according to the instruction manual.

この装置は、情報処理装置等電波障害自主規制協議会（VCCI）の基準に基づくクラスB情報技術装置です。この装置は、家庭環境で使用することを目的としていますが、この装置がラジオやテレビジョン受信機に近接して使用されると、受信障害を引き起こすことがあります。
取扱説明書に従って正しい取り扱いをして下さい。

Using the *Kodak* Legal Size Flatbed Accessory

Contents

Connecting the flatbed	1
Start/Resume button	3
Using the flatbed	3
Using Manual cropping modes	5
Cleaning the flatbed	6
Replacing the cover	7
Specifications	8

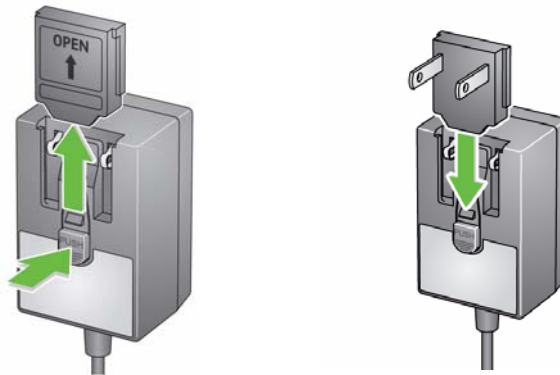
The *Kodak* Legal Size Flatbed Accessory allows you to scan exception documents with your *Kodak* Scanners. The cable included with the Flatbed Accessory easily connects your flatbed to the host PC.

NOTES:

- Terminology usage within this document:
“Scanner” refers to the *Kodak* Scanner;
“Flatbed” refers to the *Kodak* Legal Size Flatbed Accessory.
- The Flatbed Accessory must be used with your *Kodak* Scanner; it cannot be used as a standalone device.

Connecting the flatbed

1. Power down the scanner.
2. If you have not already installed the flatbed software, install it before connecting the flatbed.
3. Select the appropriate AC plug adapter for your region from the supply of plug adapters packed with your flatbed.
4. Remove the AC plug adapter cover and attach the correct plug adapter to the power supply.



5. Connect the power supply, power cord and USB cable to the flatbed. Refer to the illustration below for making proper connections.



6. Connect the other end of the USB cable to an open USB port on your PC.

NOTE: If you have a Scan Station 700 Series, connect the other end of the USB cable to the Scan Station.

7. Turn on the scanner.
8. Press the power button on the flatbed. If the flatbed is being connected for the first time, wait for the PC to find and install the device drivers for the flatbed.



When the Start/Resume button is green and steady, the flatbed is ready to use.

NOTE: If you need to remove the cable from the scanner or flatbed, turn off the scanner or the flatbed, then release the cable from its position.

Start/Resume button

You can scan a document using the Start/Resume button on the flatbed.



When you press the Start/Resume button on the flatbed, you will get the same result as pressing the Start/Resume button on the scanner. The application that is associated with the number displayed in the function window on the scanner is launched. By default, the displayed numbers are associated with Smart Touch. The displayed numbers 1-9 are mapped to Smart Touch task shortcuts 1-9.

If you are scanning several exception documents using the flatbed, it may be easier to use the Start/Resume button on the flatbed to start scanning.

Indicator status:

- **Steady green:** flatbed is on, ready to scan, or scanning.
- **Steady red:** USB cable is not connected, has lost USB communication with host PC after power up or there is a flatbed failure or error.
- **Flashing green:** waiting/Power Saver mode.

Using the flatbed

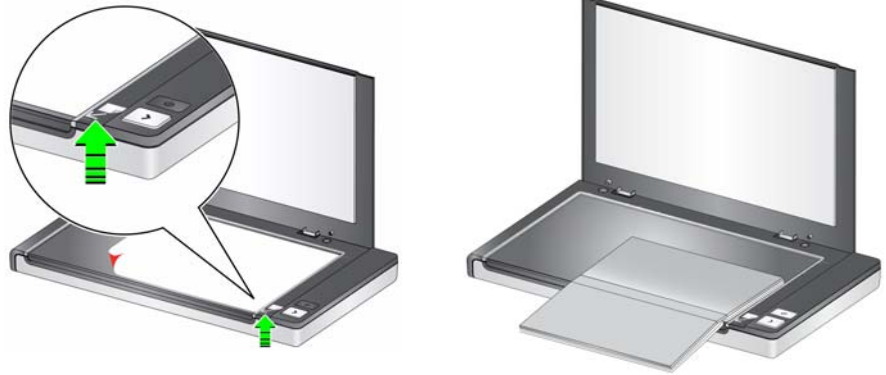
Use the flatbed to scan documents that cannot be scanned using the automatic document feeder (ADF).

1. Open the flatbed cover.
2. Place the document **face down** on the glass platen.
3. Align the document in the lower right-hand corner at the corner arrows.

NOTES:

- When scanning from the flatbed, be sure there are no documents in the automatic document feeder of the scanner.
- From time to time the flatbed will perform an automatic image calibration in order to maintain the best possible image quality. This automatic calibration is determined by the flatbed monitoring itself and is flatbed initiated. During this calibration process, the flatbed motor will run and the lamps/LEDs will be illuminated.
- When scanning documents be sure the flatbed cover is closed.
- The white background on the flatbed cover must be clean and smooth. If there are any imperfections, it may affect auto crop performance.

- When placing the document (or book) on the flatbed, the document may extend all the way to the edge of the flatbed.

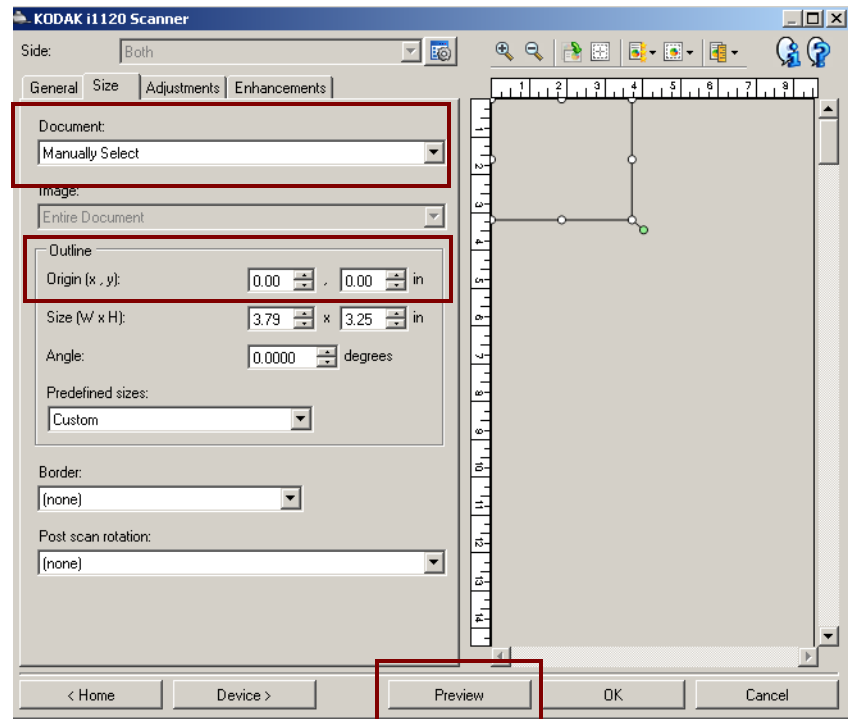


4. Close the flatbed cover.
5. Start scanning. You can scan the document using the Start/Resume button on the flatbed or scanner; or use the desired application.

Using Manual cropping modes

If you are scanning from the flatbed and you have **Manually select** as the cropping mode, start with your crop in the upper left-hand corner (Origin position should be 0,0) and be sure your document is properly positioned in the lower right-hand corner of the flatbed.

If you are scanning a book (or thick document), **Manually select** should be selected as your cropping mode.



NOTES:

- To help you manually crop your document, click **Preview** and make any adjustments as necessary.
- Using manual cropping modes will reduce scanning time.
- When using the automatic document feeder, the scanner automatically centers your document. However, when you use the flatbed, be sure to position your document in the lower right-hand corner.

Your *Outline* options on the Size tab should be:

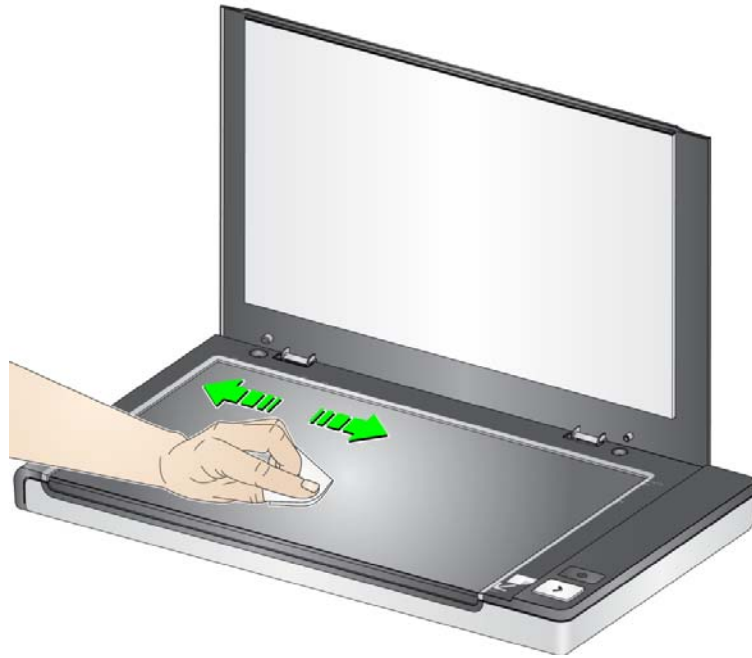
Origin (x,y): 0, 0

Cleaning the flatbed

The flatbed's glass platen can collect fingerprints and dust. Use Staticide Wipes for *Kodak Scanners* (CAT No. 896 5519) and the Optics Cleaner Pad (CAT No. 868 3724) to clean the glass platen.

IMPORTANT: Staticide wipes contain isopropanol which can cause eye irritation and dry skin. Wash your hands with soap and water after performing maintenance procedures. Refer to the MSDS for more information.

1. Open the flatbed cover.
2. Wipe the glass platen with a Staticide wipe.



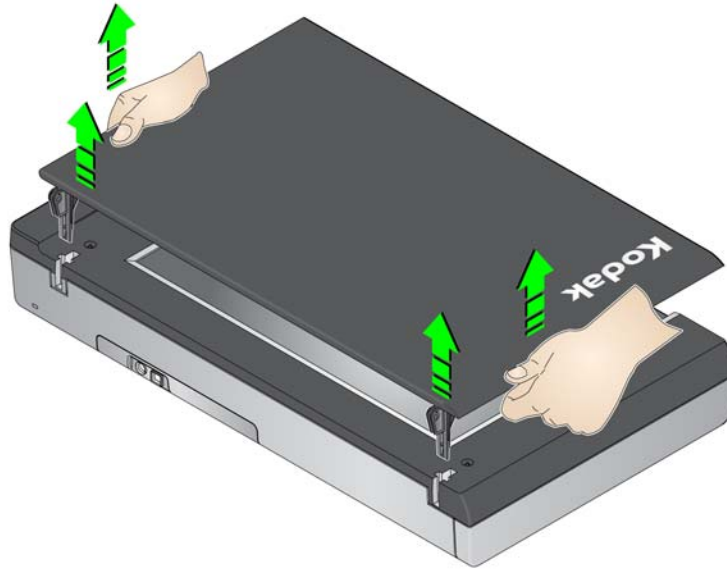
3. Dry the glass platen with the Optics Cleaner pad.
4. Close the flatbed cover.

IMPORTANT: Do not spray or pour cleaning liquids on the flatbed's glass platen, as these liquids may seep under the glass and cause damage.

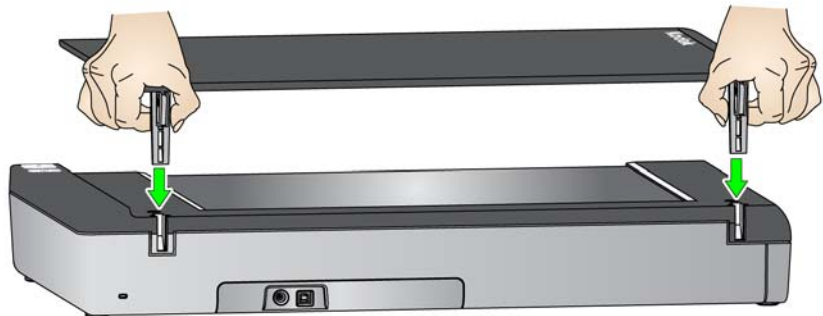
Replacing the cover

To replace the cover:

- Use both hands to press the hinges to release the cover. Lift and remove it from the flatbed.



- Install the new cover by pressing the hinges and inserting the hinges in the slots on the flatbed as shown below.



If you need to order a new *Kodak* Legal size White Cover, use CAT No. 118 2179.

Specifications

Following are specifications for the *Kodak* Legal Size Flatbed Accessory.

Scanning Technology	CIS Image Sensor Color bit depth: 24-bit
Optical Resolution	1200 dpi
Image Processing features	Based on the ADF Scanner capabilities
Maximum Thickness	up to 40.6 mm (1.6 in.)
Maximum Document Size	216 x 356 mm (8.5 x 14 in.)
Recommended Daily Volume	100 pages per day
Illumination	3 Color LED
Scanner Dimensions	Height: 43.7 mm / 1.7 in. Length: 470.5 mm / 18.5 in. Width: 268 mm / 10.5 in.
Flatbed Weight - without power adapter	2.72 kg (6 lbs)
Host Connection	USB 2.0
Operating Temperature	10°C to 35°C (50 to 95°F)
Operating Humidity	15 to 80% RH
Power Consumption - Scanner	Sleep mode: <4.3 watts
Acoustic Noise (Sound Power level)	Operating: less than 70 dB Off mode or Ready mode: less than 46 dB
Electrical rating	12 Vdc 1.5 A
Electrical requirement	100 - 240 V (international) 50/60 Hz

Specifications

Following are specifications for the *Kodak* Legal Size Flatbed Accessory.

Scanning Technology	CIS Image Sensor Color bit depth: 24-bit
Optical Resolution	1200 dpi
Image Processing features	Based on the ADF Scanner capabilities
Maximum Thickness	up to 40.6 mm (1.6 in.)
Maximum Document Size	216 x 356 mm (8.5 x 14 in.)
Recommended Daily Volume	100 pages per day
Illumination	3 Color LED
Scanner Dimensions	Height: 43.7 mm / 1.7 in. Length: 470.5 mm / 18.5 in. Width: 268 mm / 10.5 in.
Flatbed Weight - without power adapter	2.72 kg (6 lbs)
Host Connection	USB 2.0
Operating Temperature	10°C to 35°C (50 to 95°F)
Operating Humidity	15 to 80% RH
Power Consumption - Scanner	Sleep mode: <4.3 watts
Acoustic Noise (Sound Power level)	Operating: less than 70 dB Off mode or Ready mode: less than 46 dB
Electrical rating	12 Vdc 1.5 A
Electrical requirement	100 - 240 V (international) 50/60 Hz

