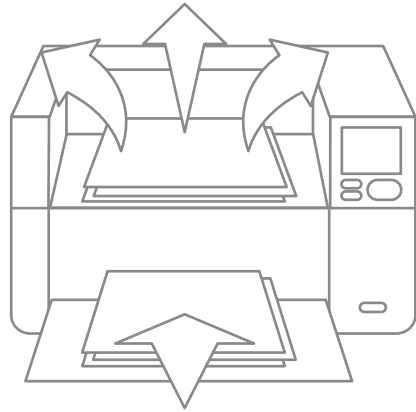


KODAK S3120 Scanners and Web Capture Platform

Built for Today, Ready for Tomorrow

Local government agencies turn paper problems into a streamlined scan-to-file solution



Paper-based system slows processes, increases frustration

Volume and budget mandates require streamlined scan-to-file solution

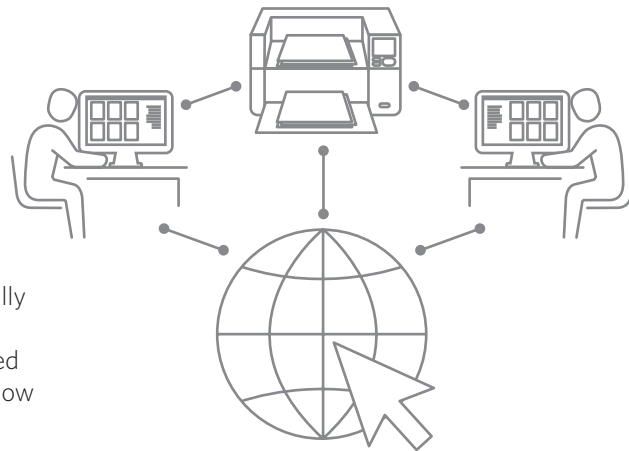
- Government agencies receive approval to consolidate record keeping and transition from paper to digital system
- Paper processes are costly, slow approvals, and finding information from folders is prone to lost/misplaced documents
- Huge legacy document repository and ever-increasing document volume demands fast, efficient solution
- Information from a wide mix of document weights and sizes (licenses to birth certificates, etc.) must be captured accurately, safely, and easily



A brighter idea pairs a KODAK S3120 Scanner with Web API integration

Speeding and streamlining with an efficient, durable scanner and Web-based capture

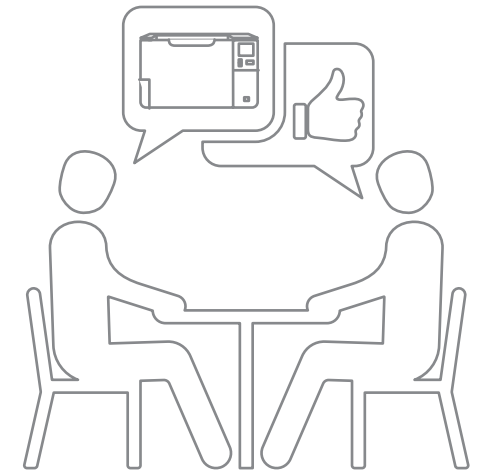
- Multiple users love the color touchscreen UI as it helps with easy scanner operation and provides previews of scanned documents
- Web API interface means scanner can be located anywhere in offices and used from any PC with a Web browser
- With scan-to-searchable file operation, all records are now captured and automatically processed/indexed, and full-text searchable
- Volume demands met by efficiency and speed of S3120, and 20 boxes/week from archive now scanned into online ECM system



Positive word of mouth, significant savings, and greater productivity

Early adopters generate enthusiasm and excitement for digital solution

- Millions of documents now captured digitally each year, eliminating high paper-storage costs and misplaced/lost documents
- Efficiency, simultaneous document access, constituent and employee satisfaction all receive significant boosts
- Freedom of Information Act requests and survey document requests now fulfilled far faster
- Proper records retention policy now easier to enforce and secure wired network connectivity enhances compliance and overall system integrity



Kodak alaris